

mrQ

MODERN TECHNOLOGY
YAG LASER





HIGH QUALITY & LONGEVITY

Meridian MR Q is a fully integrated YAG laser combined with a renowned precision optics LED slit lamp with a magnification range from 6 × up to 40 × selectable in 5 fixed steps.

Laser cavities were tested under stress circumstances in field with over 600'000 exposures.

The housing of the laser head is made of a high grade aluminium mono block giving the robust solid feeling of Meridian products while moving the laser head.

USABILITY

The MR Q ensures efficiency with its fast start-up time and its easy to use touch display.

You can choose between anterior and posterior offset on one screen. This ensures a fast and smooth workflow.

The analog rotary knobs, such as laser power and target beam brightness, are located on both sides of the laser head to provide a familiar and comfortable working position for left and right-handed users.





SAFETY

We test our units after each assembly in our own laboratory for stability and electrical safety.

The aiming beam consists of a red two-point focusing system.

Laser safety goggles and safety shields are supplied by us as standard accessories. As additional safety functions the laser has a key switch and an easily accessible emergency stop button.



FLEXIBILITY & COMFORT

For small practice rooms, the MR Q is available as a space-saving stand-alone unit. In this case, the laser can be installed very easily on an existing height-adjustable medical table.

As an option we offer a motorised, two-column table which offers good ergonomics for patients and doctors and is also particularly suitable for wheelchairs. The ergonomic positioning of the handles guarantees a comfortable sitting position for the patient and thus increases patient comfort.

The laser is triggered with the joystick on the instrument base or optionally with a foot switch which is attached to the connector on the left side of the device.




STANDARD ACCESSORIES

- Laser safety sign
- Safety goggles
- Dust cover

OPTIONAL ACCESSORIES

- Foot-switch
- Dual plug beam splitter
- Observation tube
- Adapter for 1/2" digital camera
- Ergonomic height-adjustable motorised table

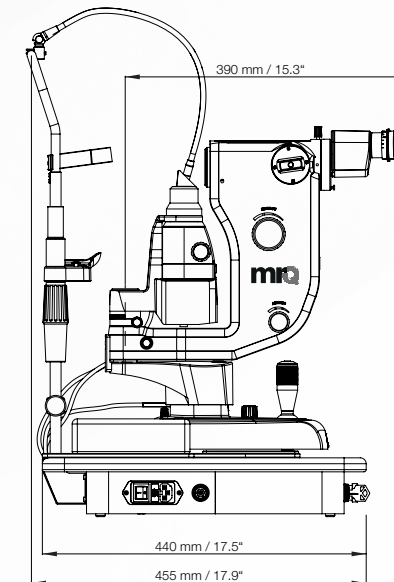
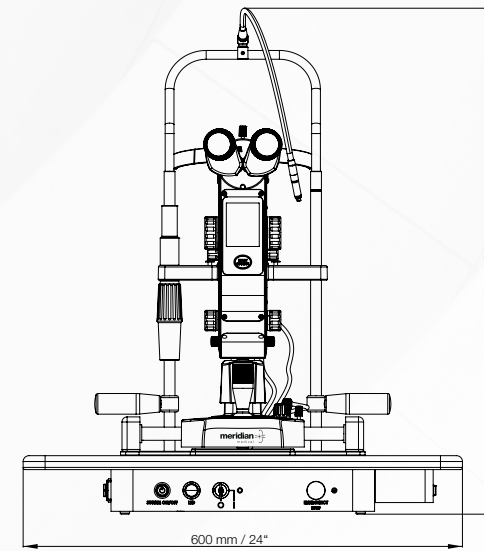
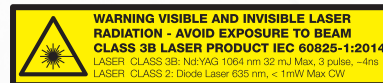
TECHNICAL SPECIFICATIONS*

Device Description	MR Q 
Laser Source	Q-switched, solid state Nd:YAG 1064 nm
Pulse Duration	4 ns +4 / -0 ns
Pulse Setting	1,2 or 3 pulses
Maximum Repetition Rate	2 Hz
Maximum Energy	32 mJ
Treatment Spot Size	10 µm
Cone Angle	16°
Treatment Beam Offset Range	Anterior and posterior: 0 to ± 300 µm
Aiming Beam	Red Dual Diode; 635 nm
Magnification	(6x; 10x; 16x; 25x; 40x)
Cooling System	Air convection
Weight	24 kg / 53 lbs. (Unpacked)
Power Rating	100 – 240 VAC, 50 / 60 Hz
Power Requirements	100 VA

* All technical specifications are subject to change without notice. In accordance with the international laser safety standards: IEC 60601-1:2005 + A1:2012, EN 60601-1-2:2015, MDD 93/42/EEC.



your laser specialist



For more information please contact your Device Technologies representative.



AUS 1300 DEVICE (338 423)
customers@device.com.au
www.device.com.au

NZ 0508 DEVICE (338 423)
customers@device.co.nz
www.device.co.nz